



**Free,**  
to do,  
what I want!  
Freeride | Freestyle | Race | Wave

**RIOT XR3**  
THE CROSSRIDE KITE.

The new Riot XR3 is the considered further development of the highly successful XR2.

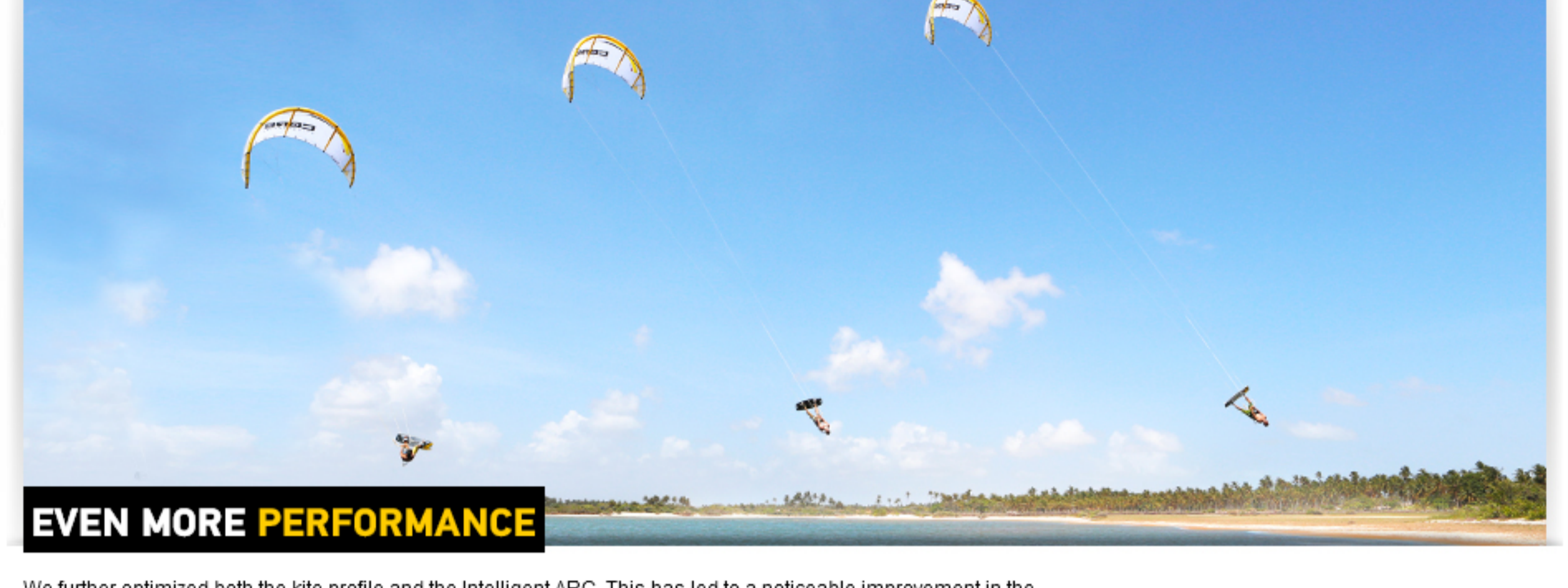
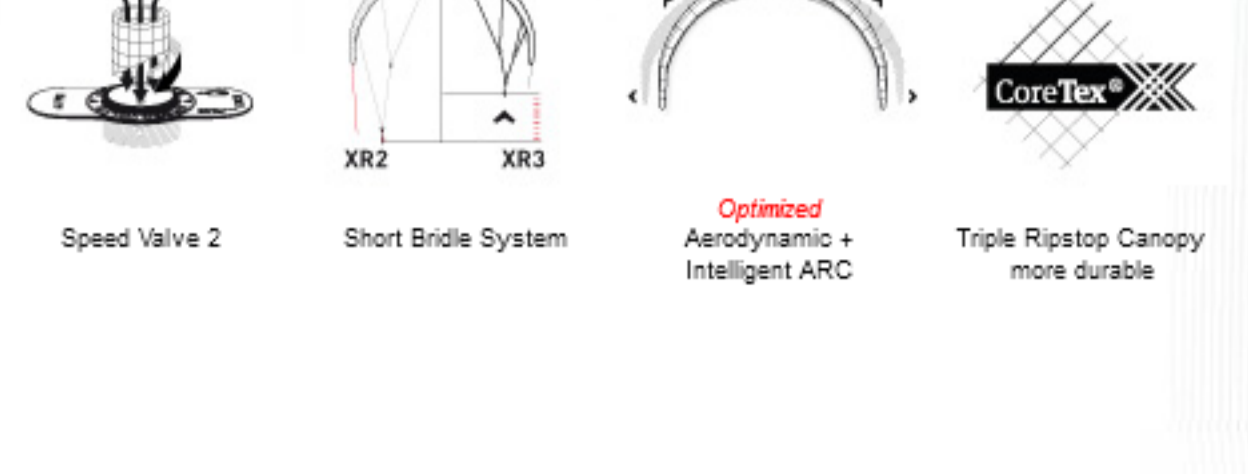
The new generation of the crossride kite has even more hang time, power and agility for waves. Comfort and safety are, as always, of the highest standard.

Freeride / Freestyle / Race / Wave  
You decide, which style you want to ride.

- Even more PERFORMANCE**
- > Massive jump height and endless hangtime with the optimized profile and Intelligent ARC
  - > Crisp pressure build-up with the new CoreTex® fabric
  - > Dynamic turning ability and the most direct kite feedback with the new Short Bridle System

- Legendary COMFORT**
- > Linear feedback on demand and precise bar feedback even when depowered
  - > Instant auto relaunch thanks to the delta design
  - > Speed Valve 2 and Speed Pump System: quick inflate and deflate

- Proven SAFETY**
- > Pressureless release by SSF safety (Supported Single Frontline Safety)
  - > Massive depower for safety and control even when overpowered
  - > High levels of safety with the Sensor bar system



**EVEN MORE PERFORMANCE**

We further optimized both the kite profile and the Intelligent ARC. This has led to a noticeable improvement in the hangtime and jump height of the Riot XR3. This makes the Riot XR3 planing early and includes easy upwind ability.

**OPTIMIZED AERODYNAMIC AND INTELLIGENT ARC**

The Intelligent ARC makes the Riot XR3 a true jumping machine. The inspiration behind the Intelligent ARC comes from nature: As a bird is able to glide without flapping its wings, for long durations of time, so to the Riot XR3 spreads its wings when the bar is pulled in. We call it Big Air power on demand.

This principle allows for a more powerful down stroke which assists with early planing. It also reduces shear forces. Upwind ability is also made more efficient as a result.

Conversely the projected surface of the kite is reduced when depowered, like a flying bird. This adds to the agility of the kite when depowered and allows for precise turns. This characteristic makes the Riot XR3 ideal for riding in the waves.



**CoreTex® - TRIPLE RIPSTOP**

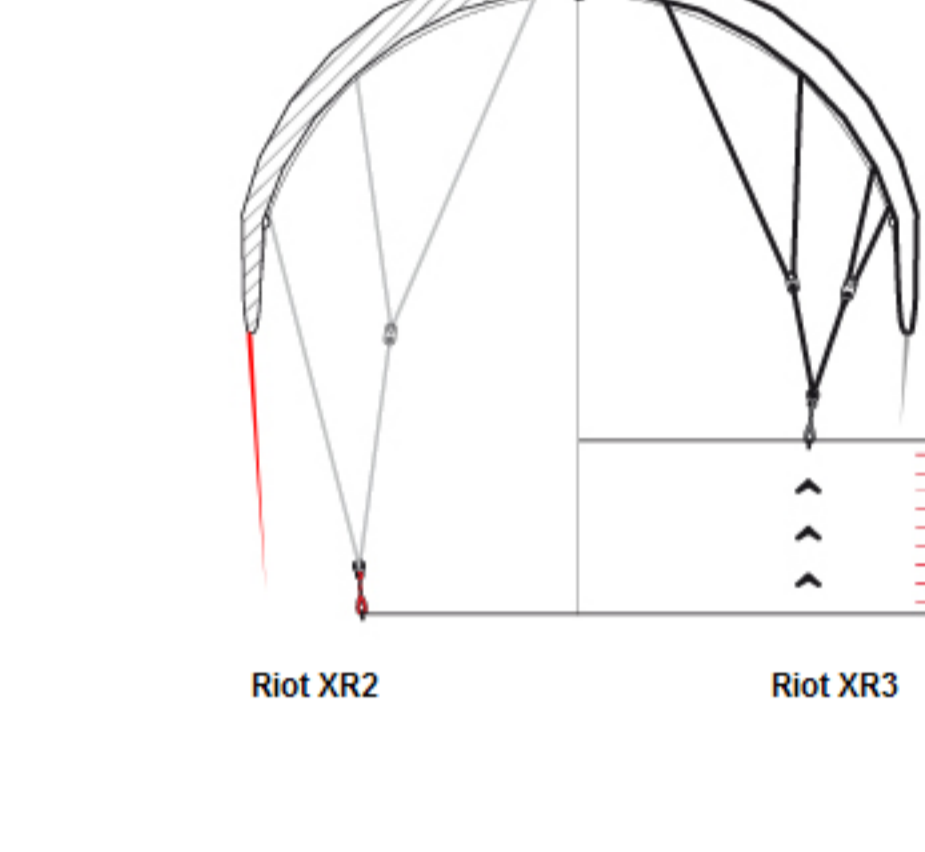
The Riot XR3 is the first kite to benefit from the use of the exclusive CoreTex® Triple Ripstop fabric. It not only increased the durability, tensile strength and air permeability but also infuses the kite with a very crisp ride.

- > Robustness and durability with the improved coating
- > Even more performance and a crisp ride experience
- > Less stretch for delayless steering and drive

**SHORT BRIDLE SYSTEM**

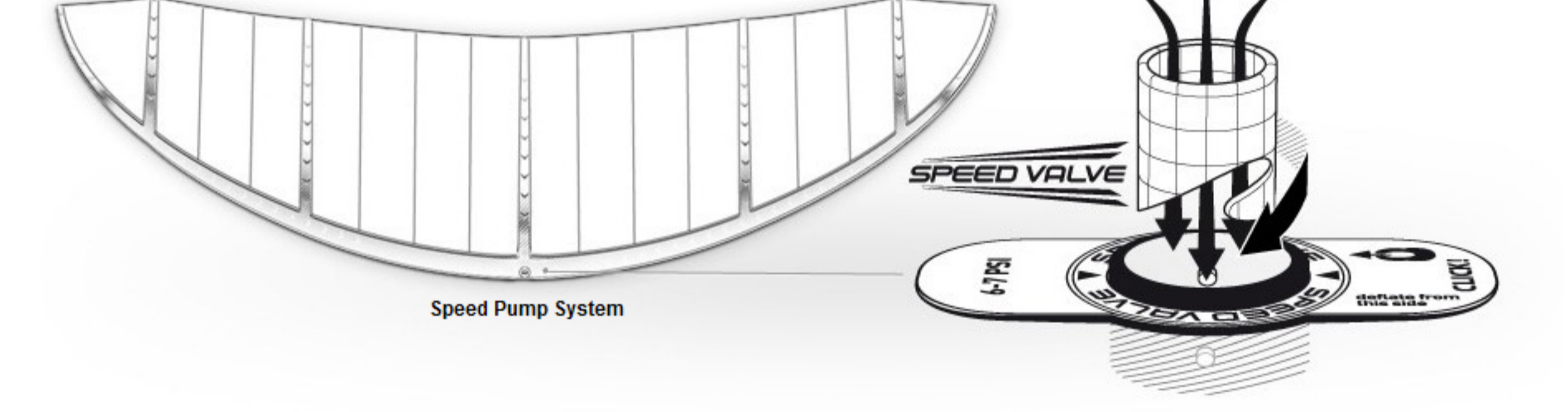
The new Short Bridle System improves the, already quick, response of the kite to steering and makes for an extremely dynamic turning ability. The Riot XR3 scores highly in waves with its agility and precise bar feedback. It allows you to feel exactly where your kite is at all times.

- > Dynamic steering
- > Improved kite feedback
- > Optimum combination of direct ride feel and safety



**LEGENDARY COMFORT**

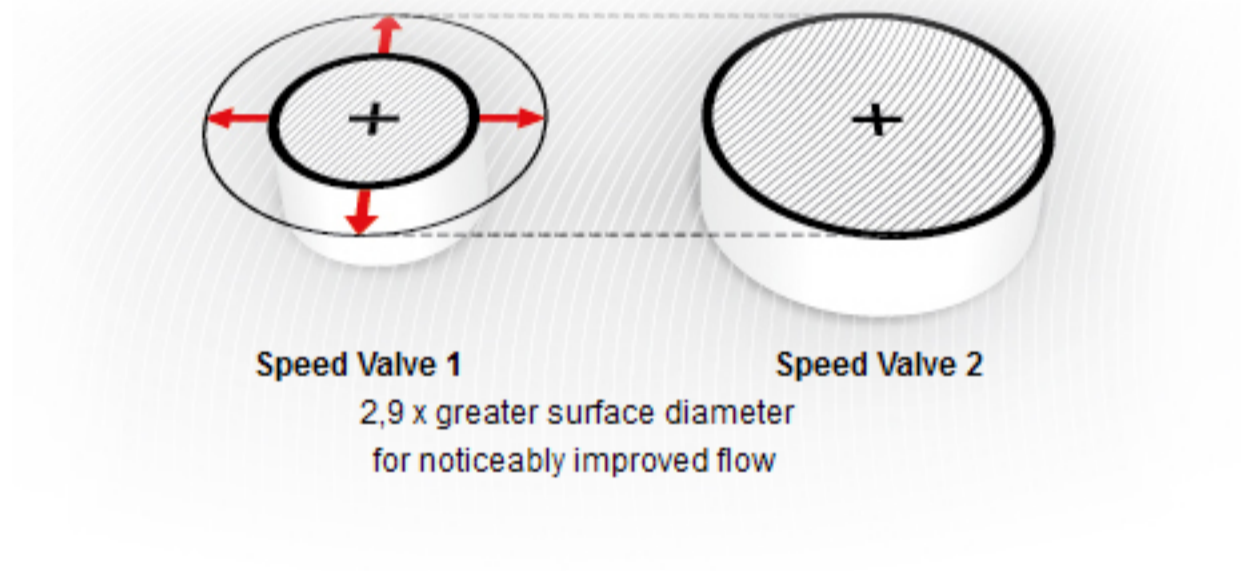
The Riot XR3 has always stood for the highest level of comfort. You decide for yourself whether the bar feedback is set to "feather light" or "medium". The power of the kite is available on demand. Controlled and linear. Relaunch is easy and uncomplicated.



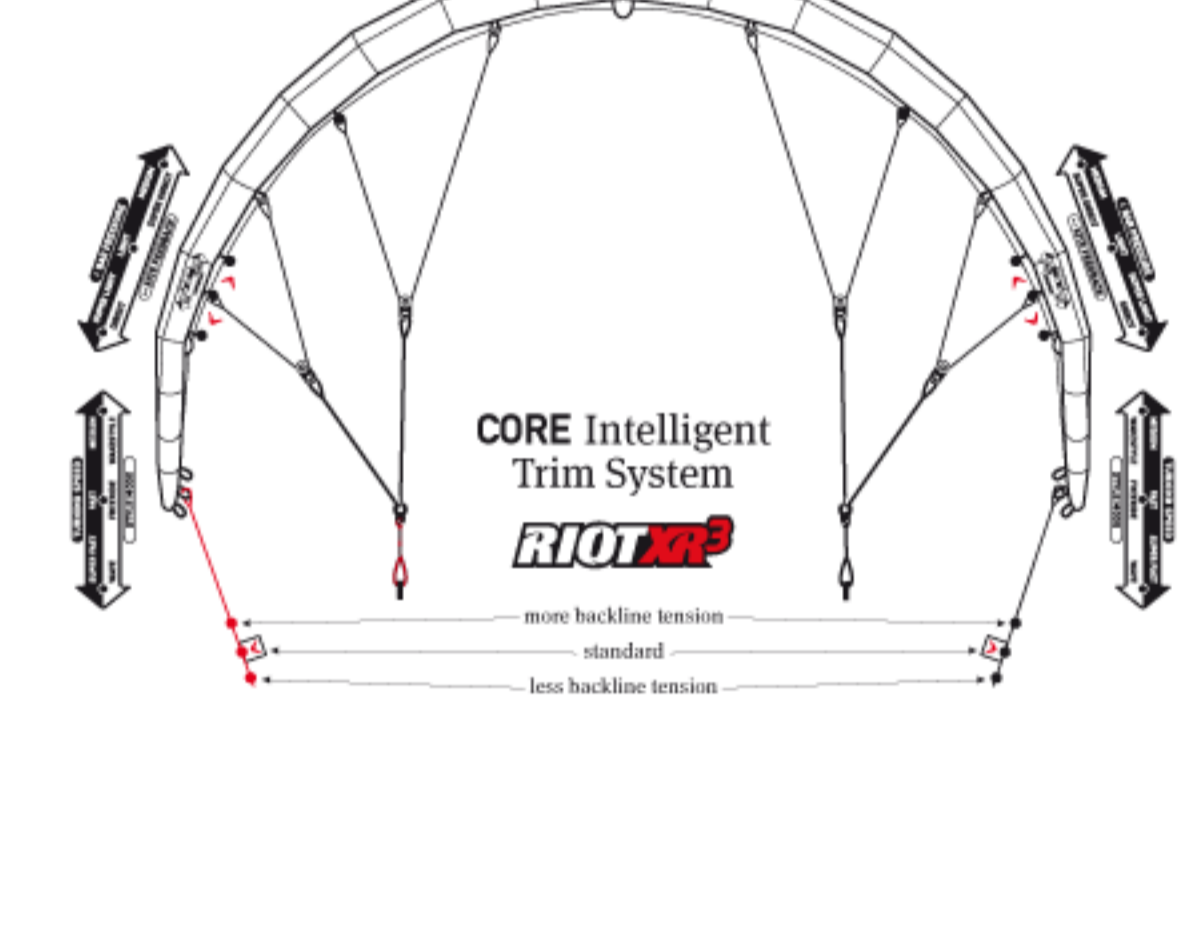
**SPEED PUMP SYSTEM + SPEED VALVE 2**

A real comfort feature of the Speed Pump System is the new Speed Valve 2. You'll be able to pump up your Riot XR3 in a significantly shorter time whilst being able to deflate the kite in seconds. Even bigger kites are now able to be inflated and deflated with greater comfort. How is this possible? The pump hose is able to be placed inside the Speed Valve 2. This allows the air to flow through the almost three times bigger valve diameter without hindrance.

- > Improved Speed Pump System with the new Speed Valve 2
- > Quicker inflation
- > Deflate in seconds
- > Compatible with the standard pump hose



The Riot XR3 features the proven CORE Speed Pump System: The tube is positioned in a service friendly manner – light and streamlined with the fabric.



**CORE INTELLIGENT TRIM SYSTEM (CIT)**

The CORE Intelligent Trim System allows you set the bar feedback levels and turning speed.

The turning speed can be adjusted from "super fast" and "fast" to "medium". The kite feedback levels can be set between "direct" and "medium" to "super direct". The bar pressure is adjustable between "super light" and "light" to "medium". You can customize the settings to suit your individual and session needs – within seconds.

The kite's factory settings are ideally set up for 90% of all kites.



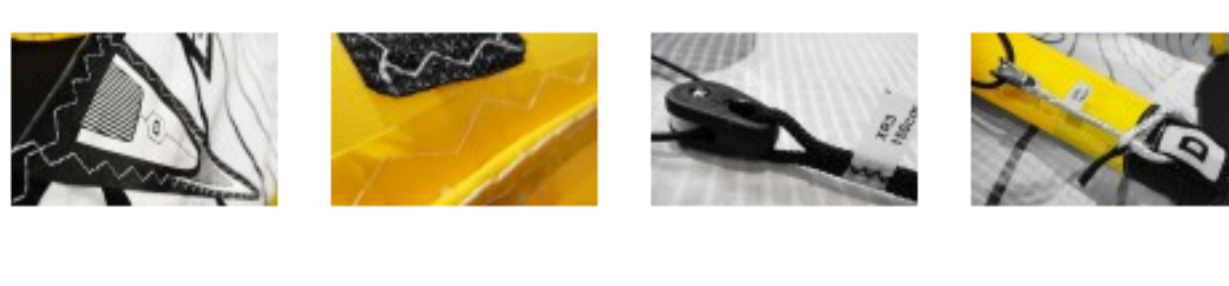
**HIGHEST QUALITY WORKMANSHIP AND MATERIALS**

Our philosophy is that you should have the maximum amount of enjoyment for the longest period of time with our products; and in addition you should be able to rely on them completely. This philosophy is realized in the selection and processing of materials.

You can feel the quality and vigor of the material when you pick up the kite lines. All the lines and pulleys on the kite are "Made in Germany". We develop and produce them in conjunction with our partner Liros in Germany. Liros lines are renowned, in flying sports, for the consistent perfection of their production, reliable stiffness, abrasion resistance, kink resistance and safety.

Only the highest quality materials are used, such as the new CoreTex® Triple Ripstop fabric. This is a high performance material with a unique manufacturing process: single fibers are first coated before they are woven and then finally heated to achieve the finish. This ensures that every single fiber strand is sealed and that the fiber will not absorb water, even after prolonged use. The reliable security fiber of the Ripstop material makes the fabric tear resistant and noticeable increases the durability.

The flying lines of the CORE Sensor and Sensor 2 bar systems have a breaking load of 368kg at a diameter of only 1.8mm and thanks to their smooth surface, they are especially user friendly to lay-out.



Attention to detail: We divided the kite's profile into 20 single panels of fabric to get out the maximum of flying performance out of the kite.

We have a sophisticated quality management system incorporated into our production and development process with a minimum tolerance level. This ensures that we are able to continuously achieve the highest quality standards.



**RIOT XR3 - THE CROSSRIDE KITE**  
PERFORMANCE - COMFORT - SAFETY

The symbiosis of performance, comfort and safety make the Riot XR3 an extremely able and versatile crossride kite from beginner to pro.

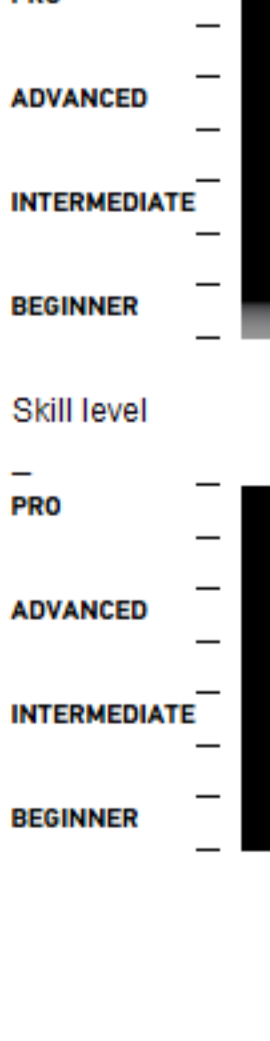
Following our kite developers philosophy means: not the kite, but the rider is free to choose which style he wants to ride.

Freeride / Freestyle / Race / Wave

**STYLEFINDER**

GTS <sup>4</sup>	
FREERIDE / EASY RIDING / HANGTIME	●●●●●
FREESTYLE / BIG AIR	●●●●●
NEW SCHOOL / WAKESTYLE	●●●●●
WAVE	●●●●●
<b>RIOT XR3</b>	
FREERIDE / EASY RIDING / HANGTIME	●●●●●
FREESTYLE / BIG AIR	●●●●●
NEW SCHOOL / WAKESTYLE	●●●●●
WAVE	●●●●●
RACE	●●●●●

**SKILL LEVEL**



**RANGE / PRICES**

	BEAUFORT	KNOTS	PRICE*
PRO			
RIOT XR3 5.0	6-9	22-42	EUR 949,-
RIOT XR3 6.0	5,5-8	20-38	EUR 979,-
ADVANCED			
RIOT XR3 7.0	5-8	17-35	EUR 999,-
RIOT XR3 8.0	4,5-7,5	15-33	EUR 1.099,-
INTERMEDIATE			
RIOT XR3 9.0	4-7	13-30	EUR 1.149,-
RIOT XR3 10.0	4-6,5	12-28	EUR 1.249,-
BEGINNER			
RIOT XR3 11.0	3,5-6,5	11-26	EUR 1.299,-
RIOT XR3 12.0	3,5-6	10-24	EUR 1.349,-
RIOT XR3 13.5	3-5,5	9-22	EUR 1.399,-
RIOT XR3 LW 15.0	3-5	8-20	EUR 1.599,-
RIOT XR3 LW 17.0	2,5-5	7-19	EUR 1.649,-
RIOT XR3 LW 19.0	2,5-5	6-18	EUR 1.749,-
SENSOR 2 BAR	ALL	ALL	EUR 449,- / 479,-
SENSOR PRO BAR	ALL	ALL	EUR 599,-

Available at your local retailer.

**DELIVERY INCLUDES**  
Riot XR3 kite with high performance kitebag, repair kit pro and manual

- > Riot XR3 Support
- > CORE Store
- > Riot XR3 Video



6 month extended warranty Register to win! | 6 year replacement parts availability guarantee | Worldwide service

\* suggested retail price. Pricing may vary.